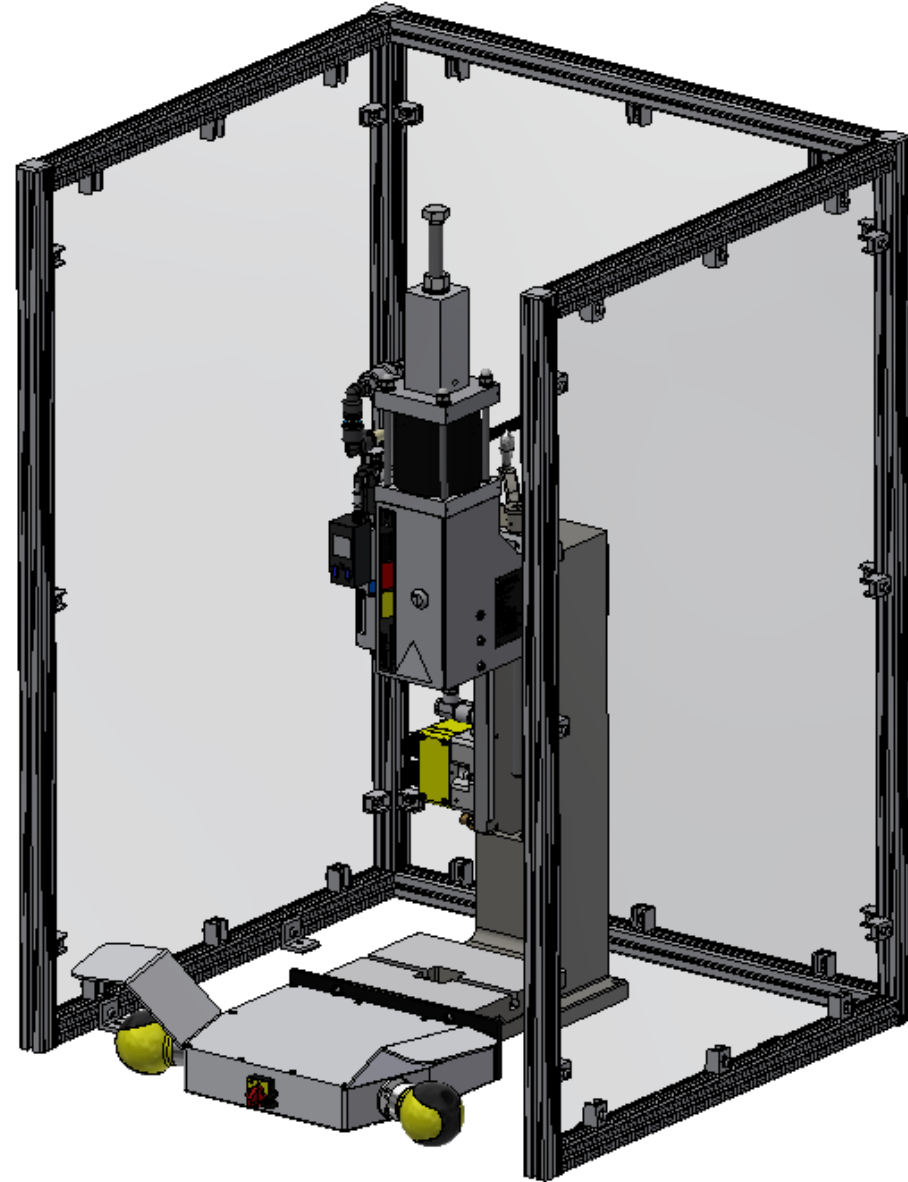
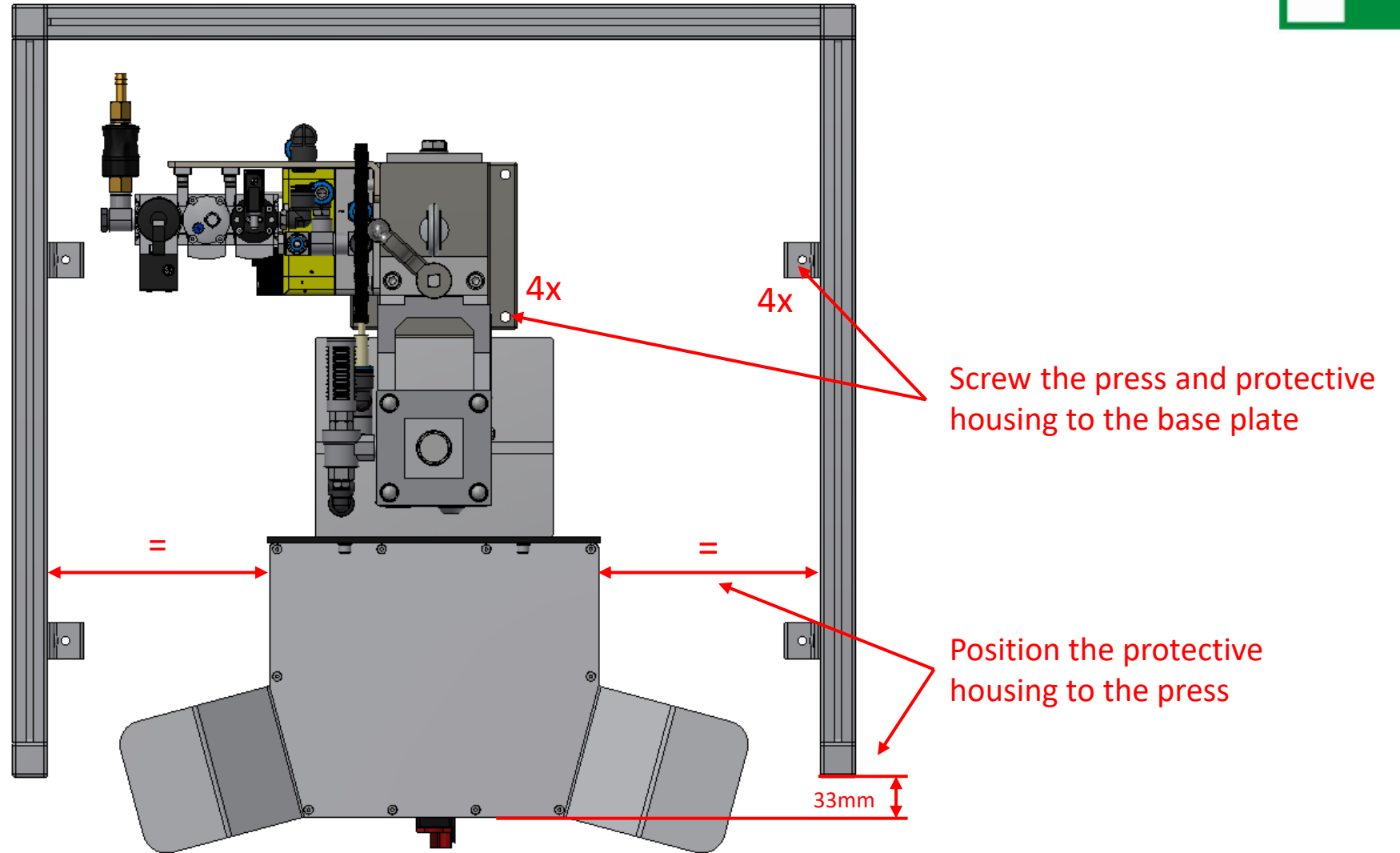


Protective housing SE



Positioning: Protective housing to the press

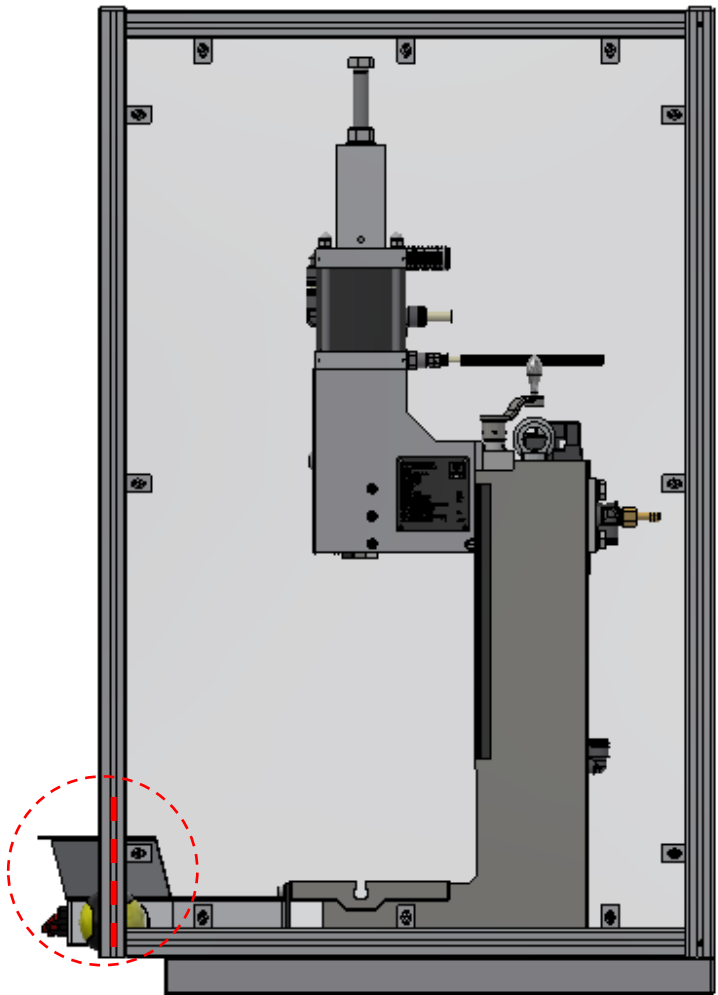
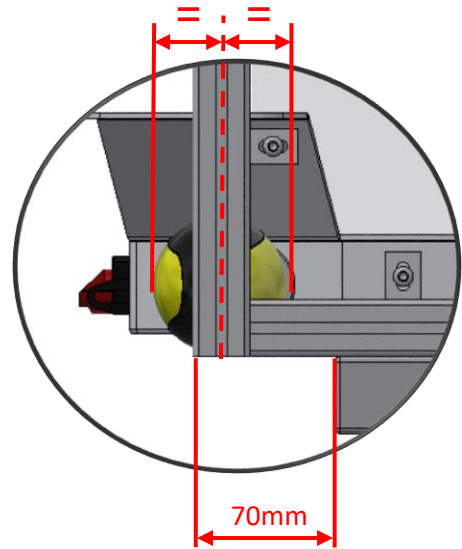
Mount press + protective housing on a closed and stable base plate.



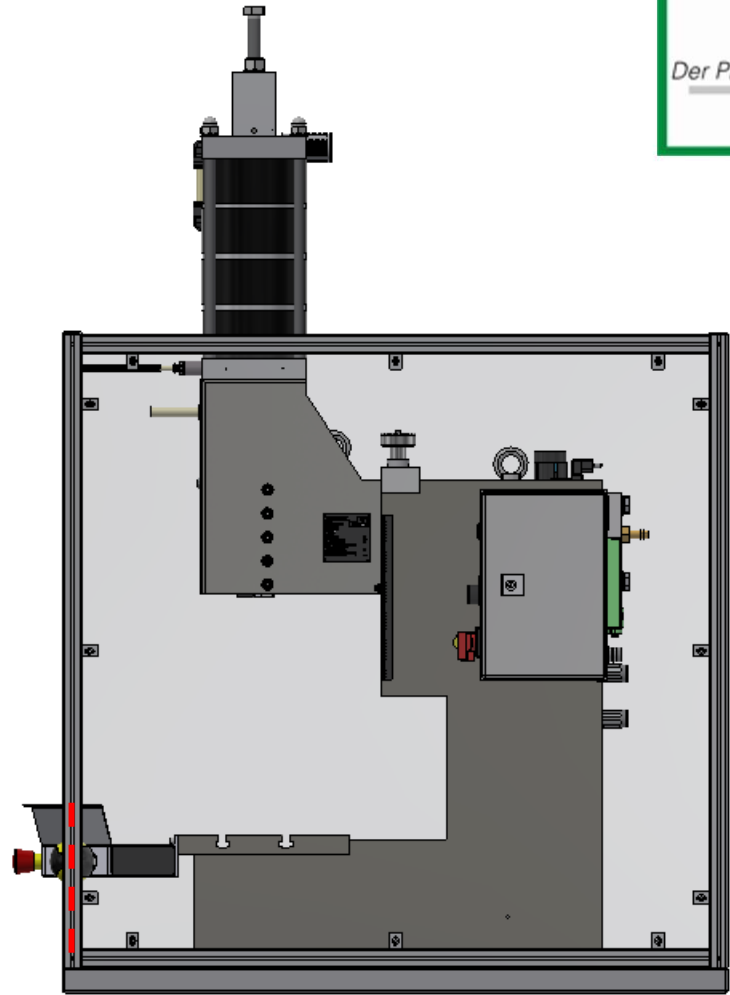
Positioning: Protective housing to the press



Position the protective housing to the safeball

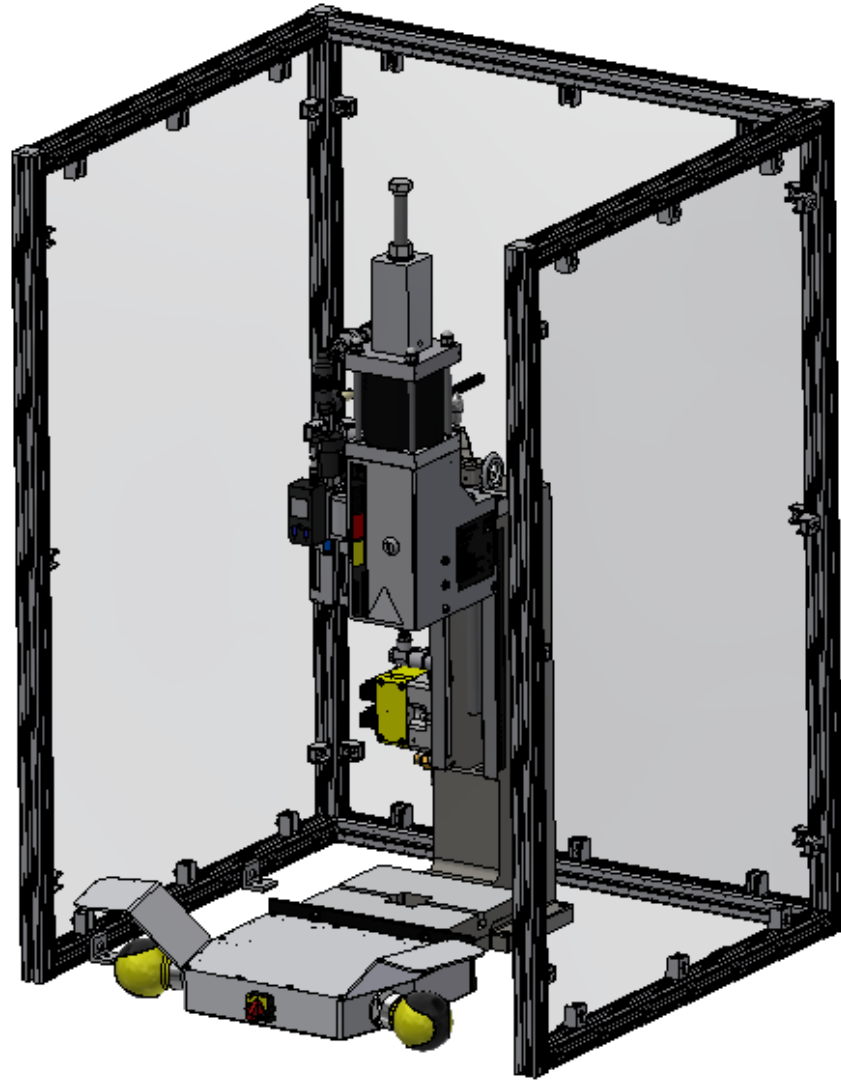


On the SE65 and SE93, the protective housing protrudes 70mm over the base plate

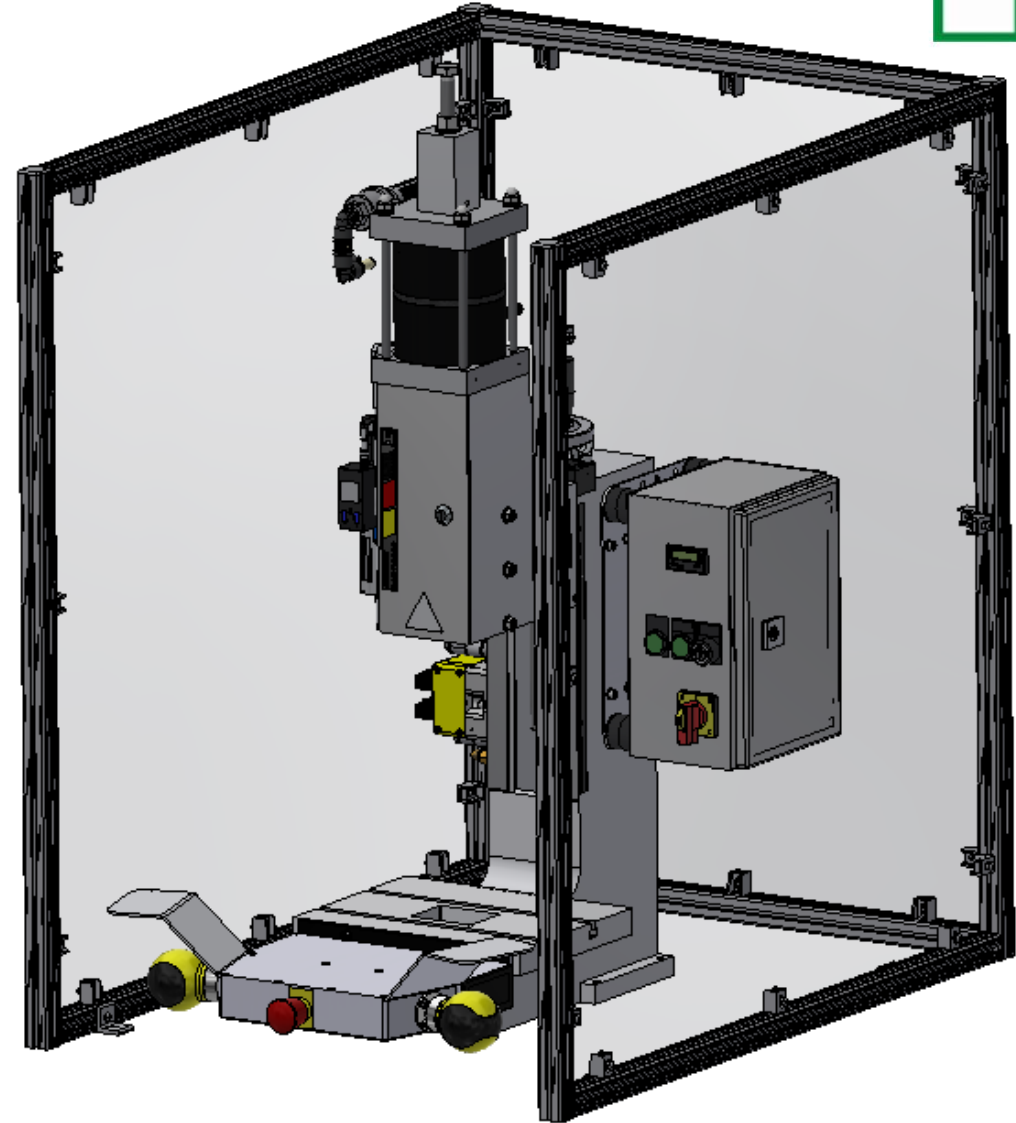


On the SE105 and SE120, the protective housing is flush with the base plate

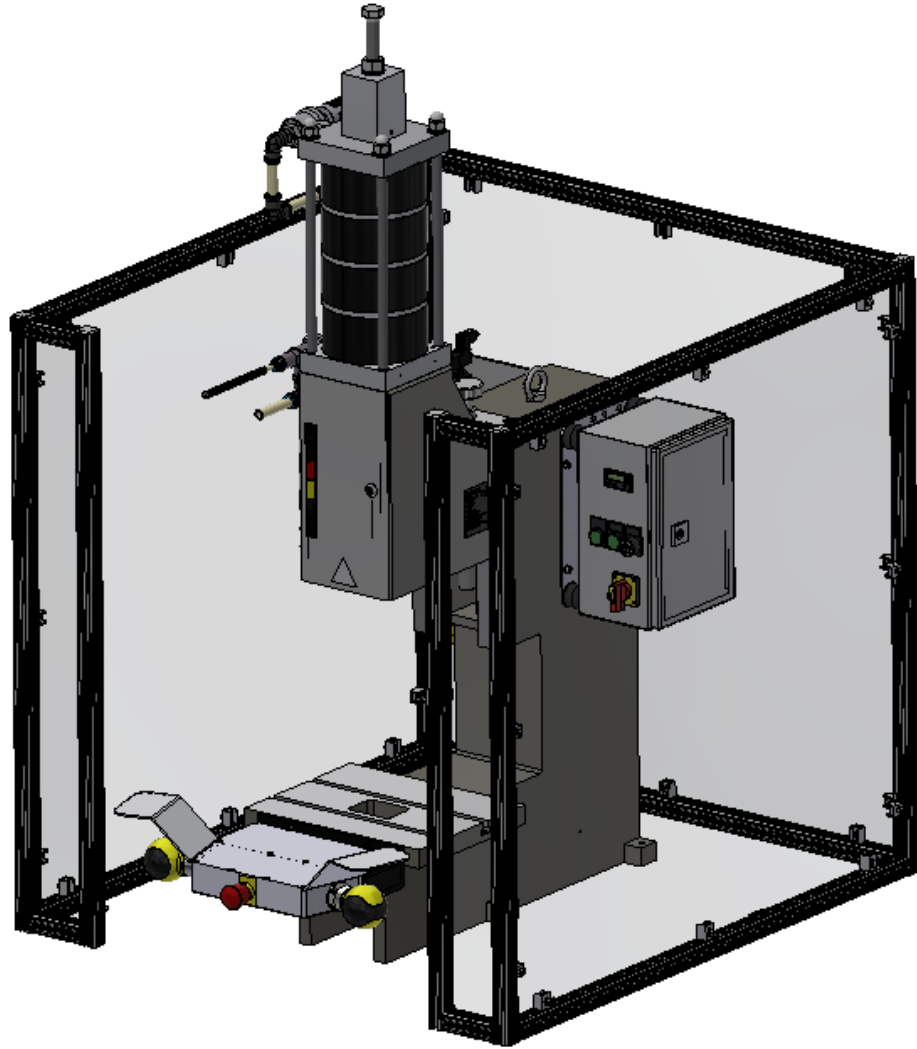
SE 65



SE 93



SE 105



SE 120

